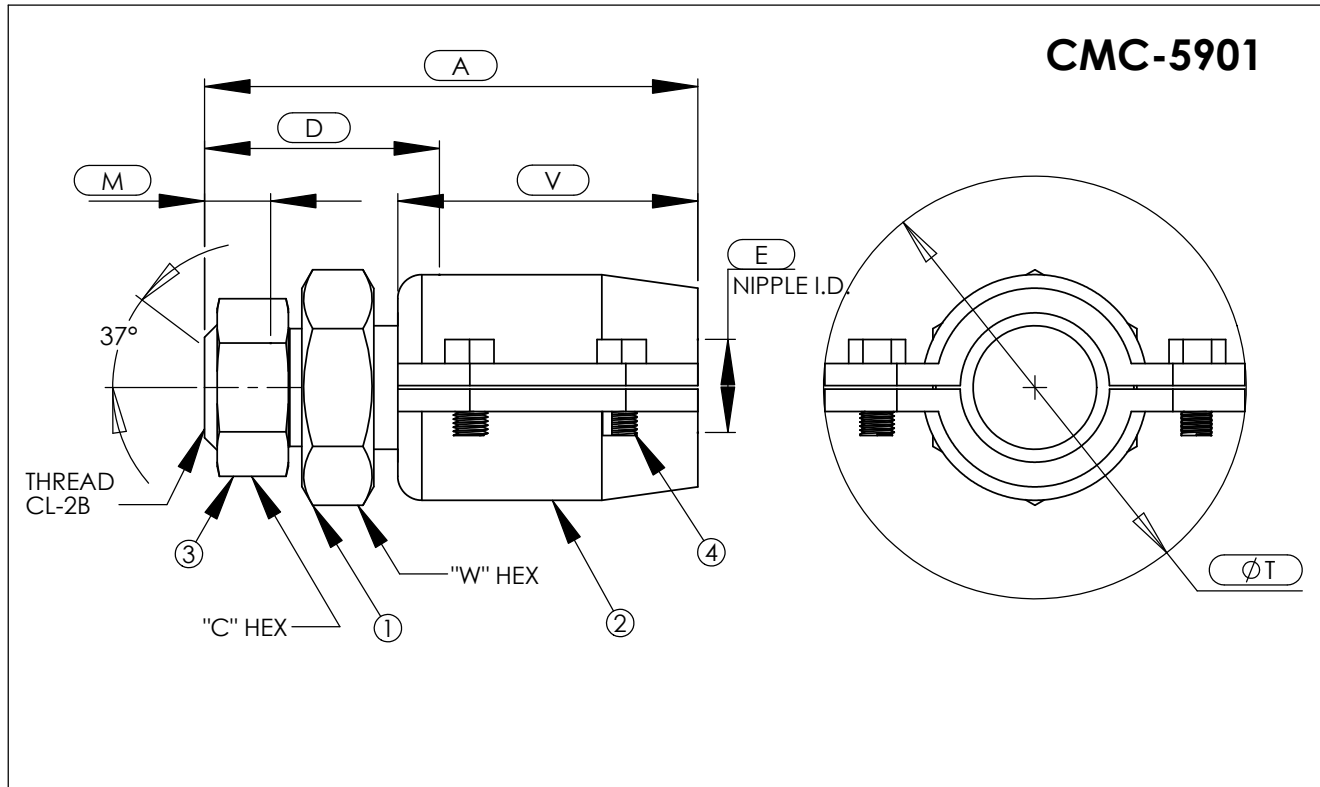


CMC™ Hose End Fittings QPL-24787-12

37° Flare Female Swivel

For MIL-H-24136/2 Type G, MIL-F-24787/2 Group XI, Type A



ASSY PART NUMBER	O.D. TUBE SIZE	THREAD	A	C	D	E	M	T	V	W
CMC-XXX-5901-06-06	3/8*	9/16-18	3.10	0.69	1.48	0.26	0.40	2.34	2.00	0.94
CMC-XXX-5901-08-08	1/2*	3/4-16	3.31	0.88	1.59	0.39	0.44	2.66	2.10	1.00
CMC-XXX-5901-10-08	5/8*	7/8-14	3.42	1.00	1.70	0.39	0.52	2.66	2.10	1.00
CMC-XXX-5901-12-08	3/4*	1 1/16-12	3.52	1.25	1.80	0.39	0.57	2.66	2.10	1.25
CMC-XXX-5901-12-12	3/4*	1 1/16-12	3.85	1.25	1.95	0.61	0.57	3.27	2.42	1.31
CMC-XXX-5901-16-12	1*	1 5/16-12	4.05	1.50	2.15	0.61	0.60	3.27	2.42	1.62
CMC-XXX-5901-16-16	1	1 5/16-12	4.05	1.50	2.14	0.82	0.60	4.02	2.42	1.62
CMC-XXX-5901-20-20	1 1/4	1 5/8-12	4.62	2.00	2.53	1.05	0.64	4.31	2.80	2.00
CMC-XXX-5901-24-20	1 1/2	1 7/8-12	4.89	2.25	2.80	1.05	0.74	4.31	2.80	2.25
CMC-XXX-5901-32-32	2	2 1/2-12	6.37	2.88	3.29	1.75	0.93	5.65	3.88	2.88

B.O.M.

COMPONENT PART NUMBERS

- ① ALL SIZES-..... NI-5901-(TUBE SIZE)-(HOSE SIZE)-(MATL CODE)
- ② ALL SIZES-..... CL-10-(HOSE SIZE)-(MATL CODE)
- ③ ALL SIZES-..... SWIVEL NUT
- ④ K-MONEL- ALL SIZES..... BT-(SIZE)-(LENGTH)-(MATL CODE)

-EXAMPLE-

CMC-XXX-5901-06-06

SEE PAGE 2 FOR ASSY MATERIAL DESIGNATIONS.

*REQUIRES 2 BOLTS ONLY PER SOCKET ASSY.