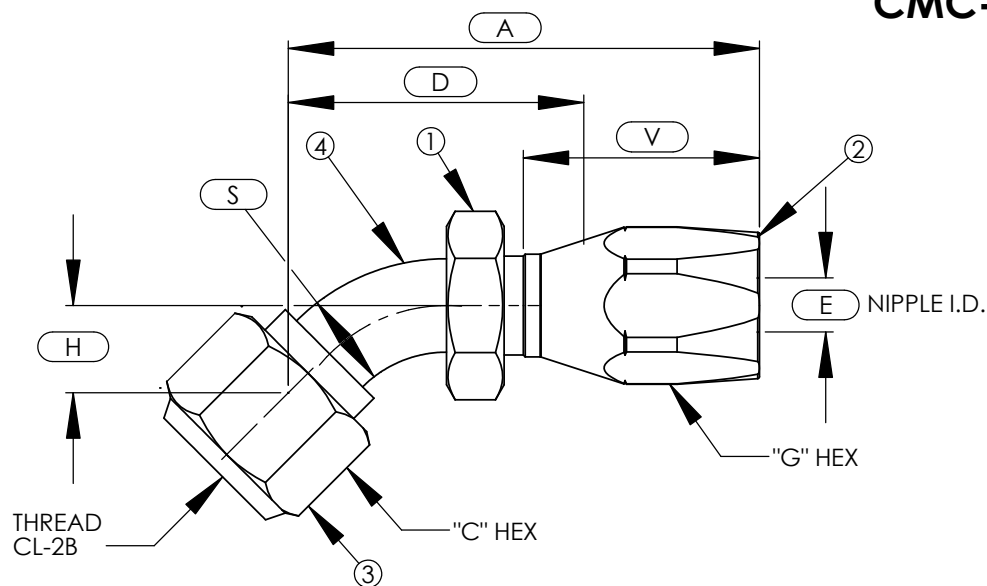


CMC™ Hose End Fittings

45° Elbow, 37° Flare Female Swivel

For SAE 100R5 Hose

CMC-5P01



ASSY PART NUMBER	HOSE SIZE	THREAD	A	C	D	E	G	H	S	V
CMC-XXX-5P01-04-04	4	7/16-20	1.85	0.56	1.10	0.13	0.62	0.33	0.25	1.10
CMC-XXX-5P01-05-05	5	1/2-20	2.07	0.62	1.29	0.18	0.69	0.36	0.31	1.20
CMC-XXX-5P01-06-06	6	9/16-18	2.23	0.69	1.33	0.24	0.81	0.39	0.38	1.30
CMC-XXX-5P01-08-08	8	3/4-16	2.99	0.88	1.84	0.36	0.94	0.55	0.50	1.65
CMC-XXX-5P01-10-10	10	7/8-14	3.24	1.00	1.95	0.46	1.12	0.64	0.63	1.80
CMC-XXX-5P01-12-12	12	1 1/16-12	3.78	1.25	2.21	0.55	1.25	0.78	0.75	2.10
CMC-XXX-5P01-16-16	16	1 5/16-12	3.65	1.50	2.47	0.82	1.44	1.07	1.00	1.66

B.O.M.

COMPONENT PART NUMBERS

- ① ALL SIZES-..... NI-5P01-(TUBE SIZE)-(HOSE SIZE)-(MATL CODE)
- ② ALL SIZES-..... SO-5001-(SIZE)-(MATL CODE)
- ③ ALL SIZES-..... NUT
- ④ MONEL- SIZES 4 THRU 12..... TUBE
- ④ COPPER NICKEL- SIZES 16..... TUBE

-EXAMPLE-

CMC-XXX-5P01-04-04

SEE PAGE 2 FOR ASSY MATERIAL DESIGNATIONS.