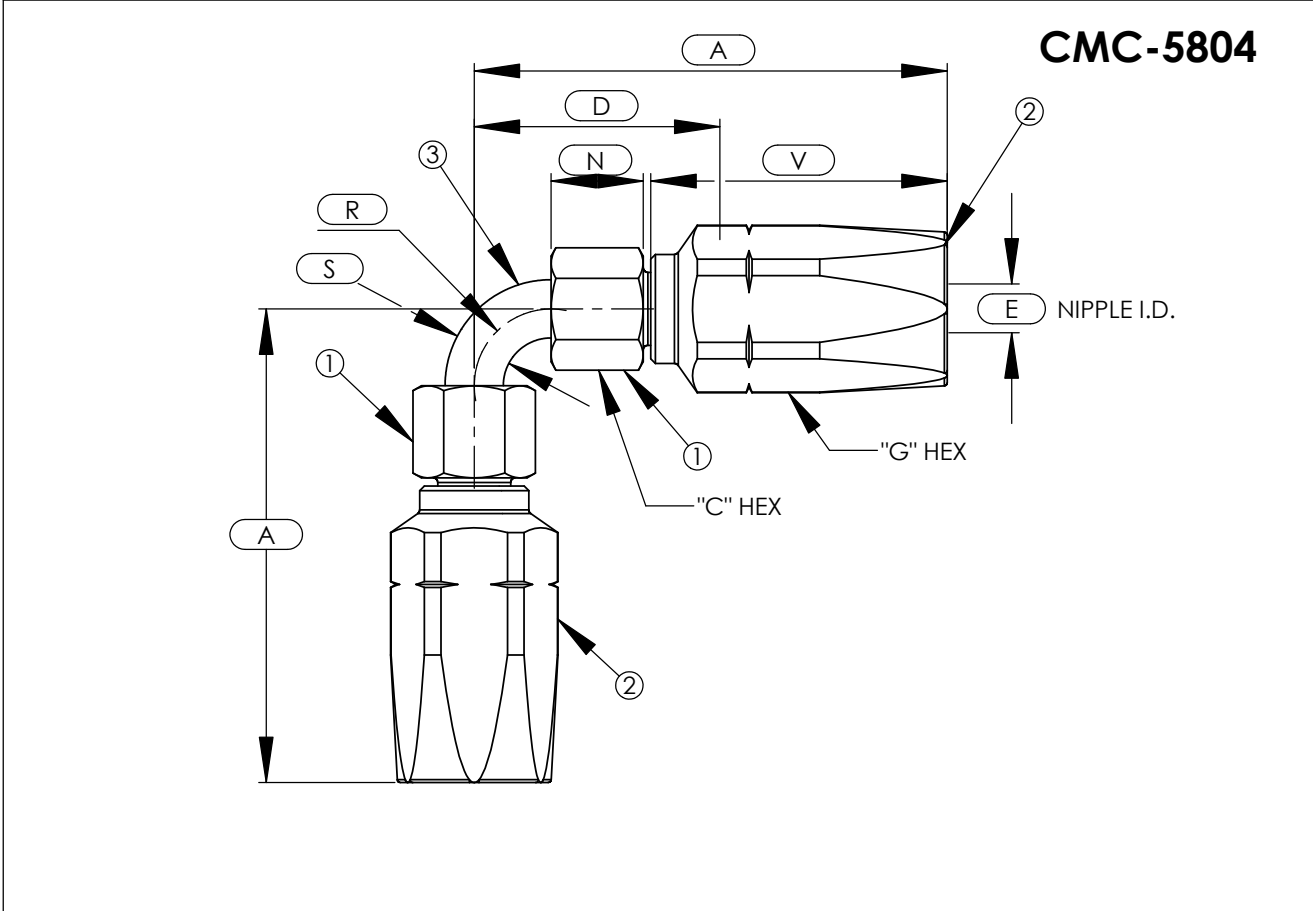


90° Dogleg

For MIL-H-24135/3 Type DS, MIL-F-24787/5 Group III, Type D



ASSY PART NUMBER	HOSE SIZE	A	C	D	E	G	N	R	S	V
CMC-XX-5804-16-16	1	5.25	1.38	3.20	0.82	1.81	0.74	1.50	1.00	2.95

B.O.M.

COMPONENT PART NUMBERS

- ① ALL SIZES-..... NI-5804-(TUBE SIZE)-(HOSE SIZE)-(MATL CODE)
- ② ALL SIZES-..... SO-5004-(SIZE)-(MATL CODE)
- ③ COPPER NICKEL- SIZE 16..... TUBE

-EXAMPLE-  
CMC-XX-5804-16-16

SEE PAGE 2 FOR ASSY MATERIAL DESIGNATIONS.