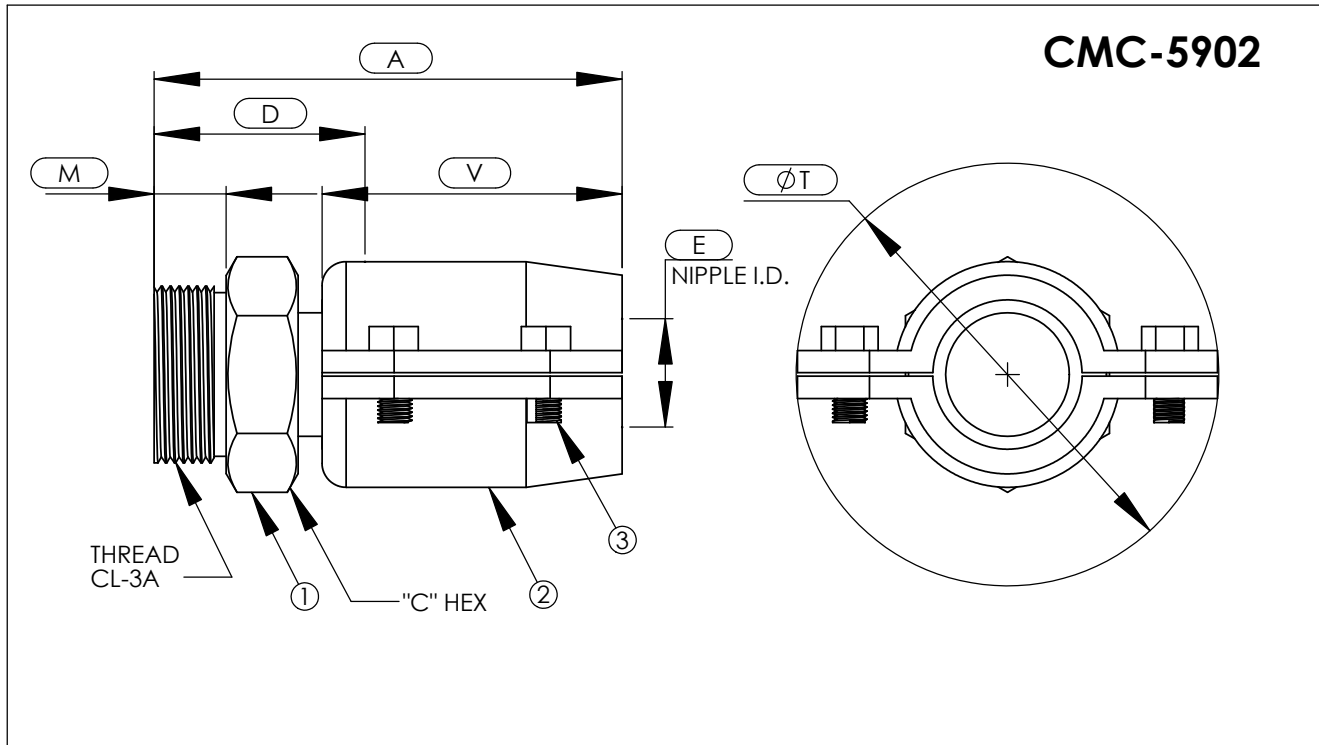


QPL-24787-12 CMC™ Hose End Fittings

Male O-Ring Seal (CPV) Style

For MIL-H-24136/2 Type I, MIL-F-24787/3 Group XI, Type C



ASSY PART NUMBER	IPS SIZE	THREAD	A	C	D	E	M	T	V
CMC-XX-5902-1/4-06	1/4*	1 3/16-12	2.90	1.25	1.28	0.26	0.62	2.34	2.00
CMC-XX-5902-1/4-08	1/4*	1 3/16-12	3.02	1.25	1.30	0.31	0.62	2.66	2.10
CMC-XX-5902-3/8-08	3/8*	1 3/8-12	3.08	1.44	1.36	0.39	0.62	2.66	2.10
CMC-XX-5902-1/2-08	1/2*	1 3/4-12	3.14	1.81	1.32	0.39	0.62	2.66	2.10
CMC-XX-5902-1/2-12	1/2*	1 3/4-12	3.43	1.81	1.58	0.50	0.62	3.27	2.42
CMC-XX-5902-3/4-16	3/4	2-12	3.60	2.12	1.69	0.62	0.62	4.02	2.42
CMC-XX-5902-1-16	1	2 5/16-12	3.84	2.38	1.93	0.81	0.75	4.02	2.42
CMC-XX-5902-1-20	1	2 5/16-12	4.20	2.38	2.11	0.81	0.75	4.31	2.80
CMC-XX-5902-1 1/4-20	1 1/4	2 3/4-12	4.34	2.88	2.24	1.05	0.75	4.31	2.80
CMC-XX-5902-1 1/4-24	1 1/4	2 3/4-12	4.42	2.88	2.12	1.30	0.75	4.69	3.01
CMC-XX-5902-1 1/2-24	1 1/2	3 1/16-12	4.68	3.12	2.38	1.30	0.88	4.69	3.01
CMC-XX-5902-1 1/2-32	1 1/2	3 1/16-12	5.56	3.12	2.48	1.39	0.88	5.65	3.88
CMC-XX-5902-2-32	2	3 3/4-12	5.56	3.88	2.48	1.75	0.88	5.65	3.88

B.O.M.

COMPONENT PART NUMBERS

- ① ALL SIZES-.....NI-5902-(IPS SIZE)-(HOSE SIZE)-(MATL CODE)
- ② ALL SIZES-.....CL-10 (HOSE SIZE)-(MATL CODE)
- ③ K-MONEL- ALL SIZES-.....BT-(SIZE)-(LENGTH)-(MATL CODE)

-EXAMPLE-
CMC-XX-5902-1/4-06

SEE PAGE 2 FOR ASSY MATERIAL DESIGNATIONS.

* REQUIRES 2 BOLTS ONLY PER SOCKET

