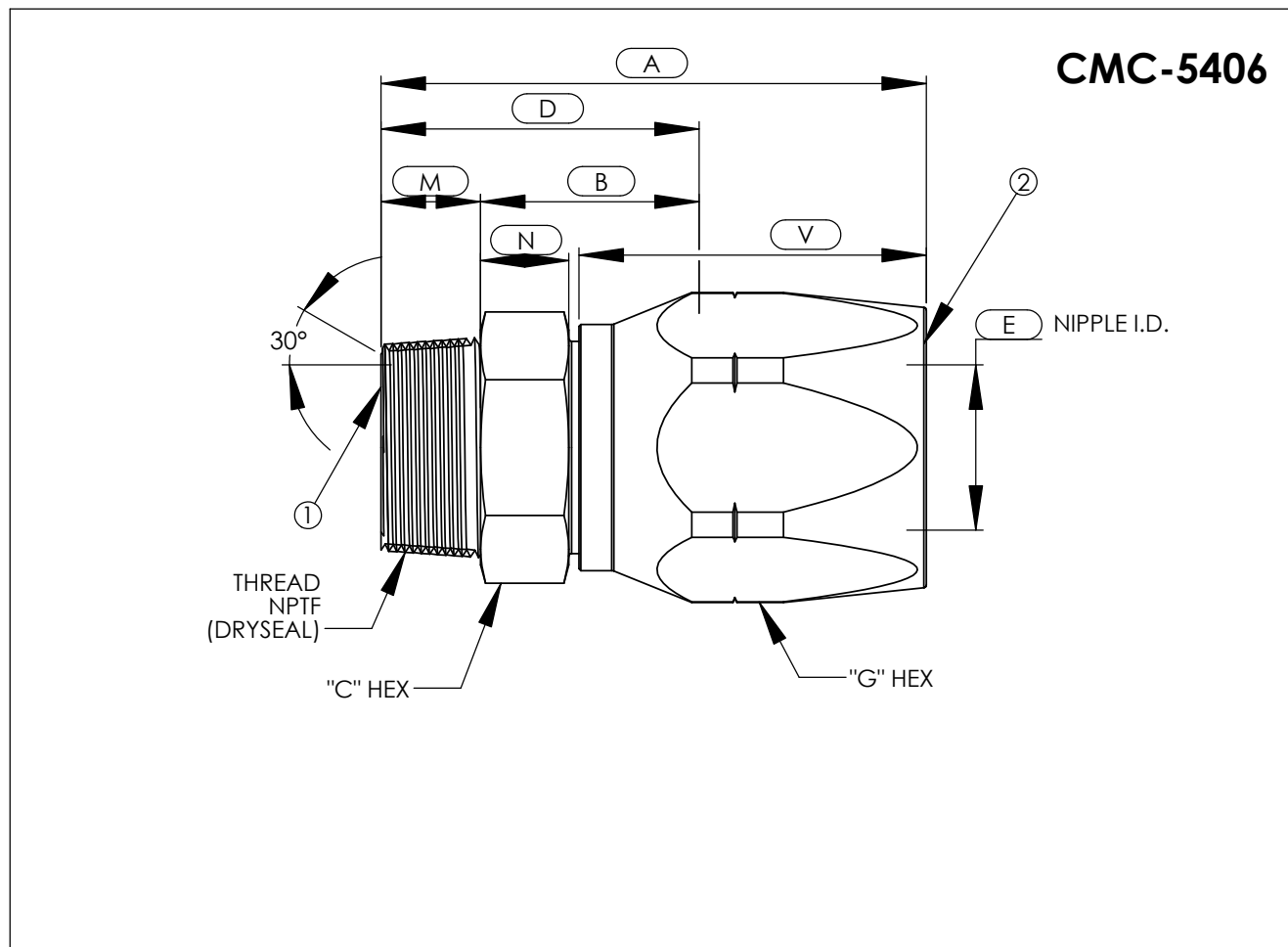


# CMC™ Hose End Fittings

## Male Pipe Thread

For SAE 100R2 Type AT Hose



PART NUMBER	HOSE SIZE	NPT THREAD	A	B	C	D	E	G	M	N	V
CMC-XX-5406-1/8-04	1/4	1/8-27	2.20	0.90	0.56	1.28	0.17	0.75	0.38	0.32	1.50
CMC-XX-5406-1/4-04	1/4	1/4-18	2.38	0.90	0.56	1.46	0.17	0.75	0.56	0.32	1.50
CMC-XX-5406-3/8-06	3/8	3/8-18	2.58	0.94	0.69	1.50	0.31	0.94	0.56	0.30	1.72
CMC-XX-5406-1/2-08	1/2	1/2-14	3.11	1.09	0.88	1.84	0.39	1.06	0.75	0.36	2.00
CMC-XX-5406-3/4-12	3/4	3/4-14	3.20	1.09	1.06	1.84	0.61	1.38	0.75	0.42	2.03
CMC-XX-5406-1-16	1	1-11 1/2	3.75	1.19	1.38	2.13	0.82	1.75	0.94	0.44	2.37
CMC-XX-5406-1 1/4-20	1 1/4	1 1/4-11 1/2	4.59	1.64	1.75	2.61	1.05	2.25	0.97	0.50	3.12
CMC-XX-5406-1 1/2-24	1 1/2	1 1/2-11 1/2	4.85	1.72	2.00	2.72	1.28	2.50	1.00	0.62	3.23
CMC-XX-5406-2-32	2	2-11 1/2	5.22	1.72	2.50	3.06	1.75	3.00	1.03	0.75	3.44

B.O.M.

COMPONENT PART NUMBERS

- ① ALL SIZES-.....NI-5406 -(NPT SIZE)-(HOSE SIZE)-(MATERIAL CODE)
- ② ALL SIZES-.....SO-5006-(SIZE)-(MATL CODE)

-EXAMPLE-  
CMC-XX-5406-1/8-04

SEE PAGE 2 FOR ASSY MATERIAL DESIGNATIONS.