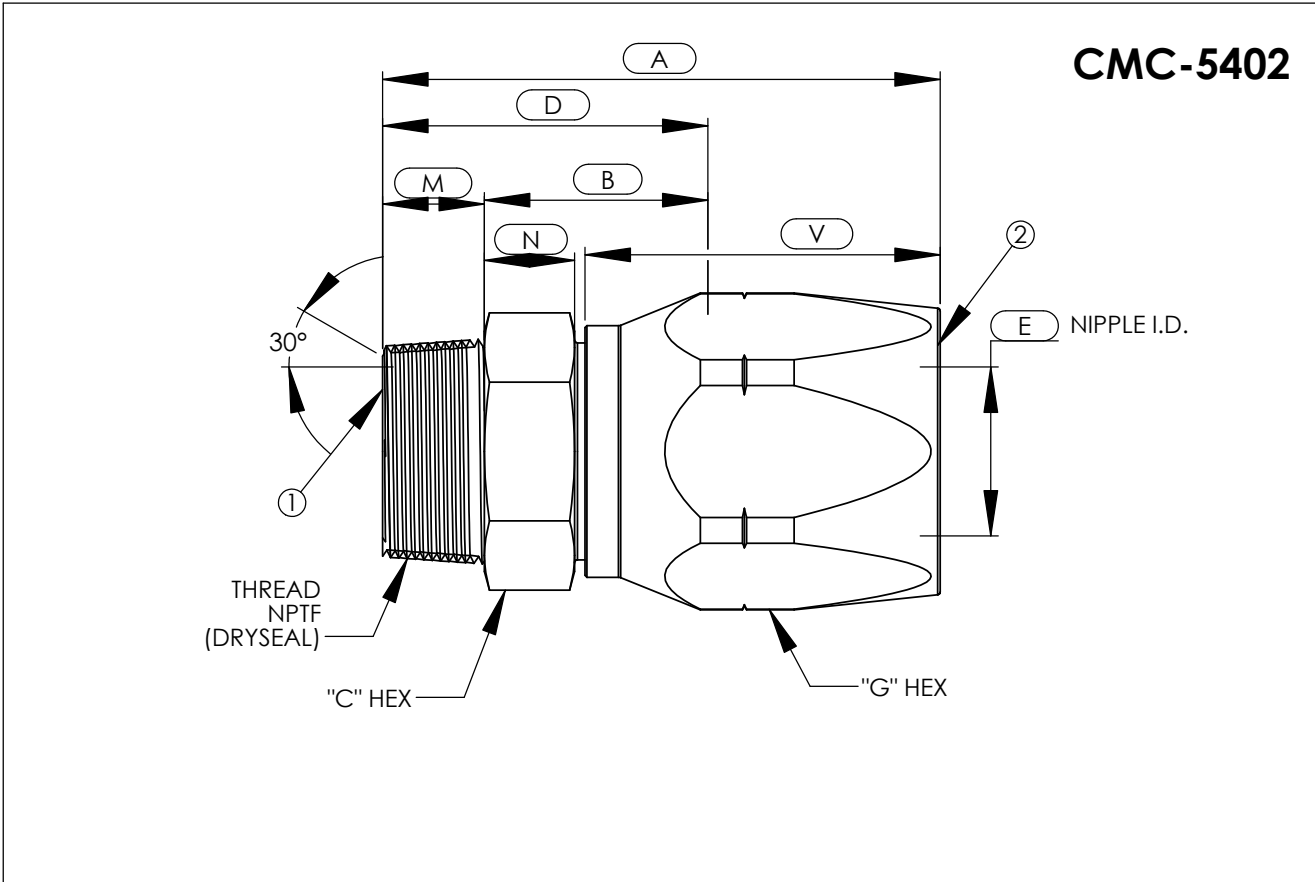


Male Pipe Thread

For MIL-H-24135/1 Hose



ASSY PART NUMBER	HOSE SIZE	NPT THREAD	A	B	C	D	E	G	M	N	V
CMC-XX-5402-1/4-04	1/4	1/4-18	2.50	0.71	0.56	1.27	0.17	0.81	0.56	0.19	1.73
CMC-XX-5402-3/8-06	3/8	3/8-18	2.75	0.72	0.69	1.28	0.31	1.00	0.56	0.25	1.92
CMC-XX-5402-1/2-08	1/2	1/2-14	3.09	0.83	0.88	1.58	0.39	1.12	0.75	0.31	2.01
CMC-XX-5402-1/2-10	5/8	1/2-14	3.18	0.87	0.94	1.62	0.48	1.25	0.75	0.31	2.10
CMC-XX-5402-3/4-12	3/4	3/4-14	3.61	0.99	1.06	1.74	0.61	1.50	0.75	0.38	2.47
CMC-XX-5402-1-16	1	1-11 1/2	4.40	1.41	1.38	2.35	0.82	1.75	0.94	0.50	2.95
CMC-XX-5402-1 1/4-20	1 1/4	1 1/4-11 1/2	4.90	1.61	1.75	2.58	1.05	2.25	0.97	0.50	3.42
CMC-XX-5402-1 1/2-24	1 1/2	1 1/2-11 1/2	4.98	1.74	2.00	2.74	1.28	2.50	1.00	0.62	3.34
CMC-XX-5402-2-32	2	2-11 1/2	5.50	2.03	2.50	3.06	1.75	3.00	1.03	0.75	3.70

B.O.M.

COMPONENT PART NUMBERS

- ① ALL SIZES-..... NI-5402 -(NPT SIZE)-(HOSE SIZE)-(MATERIAL CODE)
- ② ALL SIZES-..... SO-5002-(SIZE)-(MATL CODE)

-EXAMPLE-  
CMC-XX-5402-1/4-04

SEE PAGE 2 FOR ASSY MATERIAL DESIGNATIONS.